

SPECIFICATION

Lever body

Die-cast zinc alloy

Covering

Black, RAL 9005, textured finish **SW**

Orange, RAL 2004, textured finish **OS**

Red, RAL 3000, textured finish **RS**

Silver, RAL 9006, textured finish **SR**

Version with bushing

Bushing and retaining screw

Zinc plated steel, blue passivated

Version with threaded stud

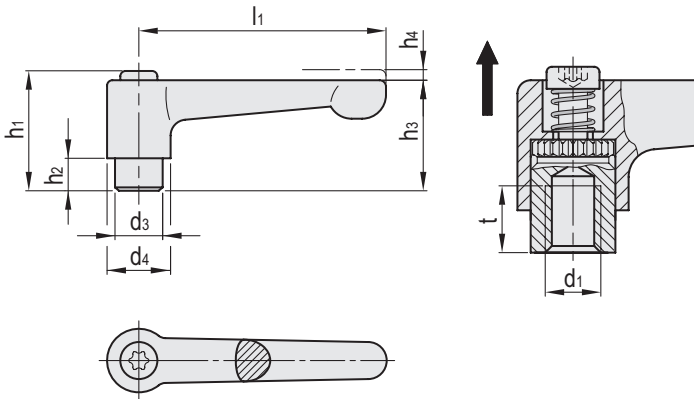
Threaded stud and retaining screw

Zinc plated steel, blue passivated

FEATURES AND APPLICATIONS

Adjustable hand levers GN 302.2 have a straight lever, not inclined, being parallel to the clamping space.

Adjustable hand levers are ideal whenever parts have to be clamped in a confined space or in a particular lever position. The centre insert is connected to the lever via serrations which can easily be disengaged. Pulling the lever, disengages the serrations and allowing it to be swivelled to the ideal clamping position. On releasing the lever the serrations automatically re-engage.



Conversion Table	
1 mm = 0.039 inch	
l1	
mm	inch
22	0.86

GN-302.2 (d1)

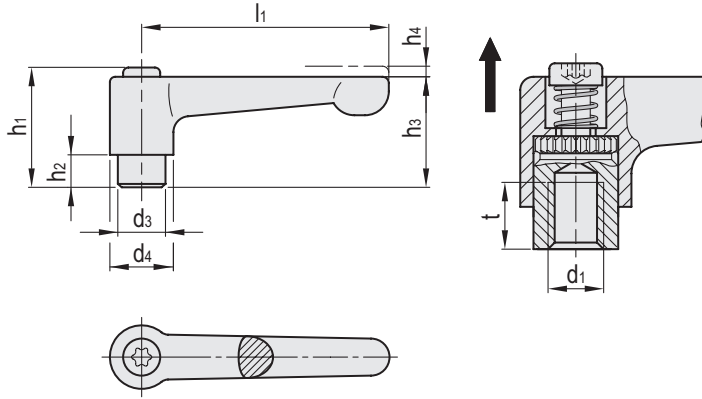
METRIC

Code	Description	d1	l1	d3	d4	h1	h2	h3	h4	tmin	⚖
GN.69534	GN 302.2-22-M3-SW	M 3	22	8	10.5	18.5	2	16.5	3	5	13
GN.69531	GN 302.2-22-M3-OS	M 3	22	8	10.5	18.5	2	16.5	3	5	13
GN.69532	GN 302.2-22-M3-RS	M 3	22	8	10.5	18.5	2	16.5	3	5	13
GN.69533	GN 302.2-22-M3-SR	M 3	22	8	10.5	18.5	2	16.5	3	5	13
GN.69564	GN 302.2-22-M4-SW	M 4	22	8	10.5	18.5	2	16.5	3	5	13
GN.69561	GN 302.2-22-M4-OS	M 4	22	8	10.5	18.5	2	16.5	3	5	13
GN.69562	GN 302.2-22-M4-RS	M 4	22	8	10.5	18.5	2	16.5	3	5	13
GN.69563	GN 302.2-22-M4-SR	M 4	22	8	10.5	18.5	2	16.5	3	5	13
GN.69594	GN 302.2-22-M5-SW	M 5	22	8	10.5	18.5	2	16.5	3	5	12
GN.69591	GN 302.2-22-M5-OS	M 5	22	8	10.5	18.5	2	16.5	3	5	12
GN.69592	GN 302.2-22-M5-RS	M 5	22	8	10.5	18.5	2	16.5	3	5	12
GN.69593	GN 302.2-22-M5-SR	M 5	22	8	10.5	18.5	2	16.5	3	5	12

- 1
- 2
- 3
- 4
- 5
- 6
- 7
- 8
- 9
- 10
- 11
- 12
- 13
- 14
- 15
- 16
- 17
- 18

Clamping handles

- 1
- 2
- 3
- 4
- 5
- 6
- 7
- 8
- 9
- 10
- 11
- 12
- 13
- 14
- 15
- 16
- 17
- 18



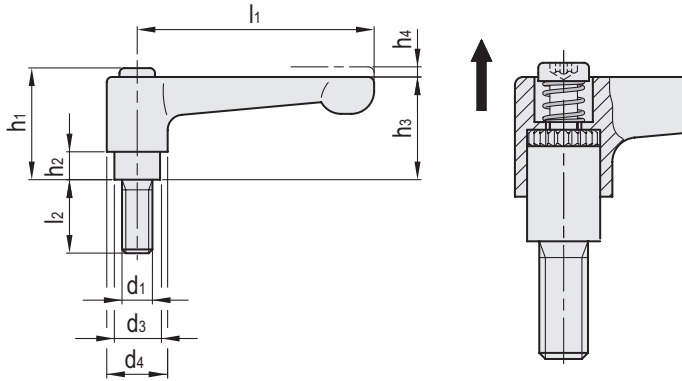
Conversion Table	
1 mm = 0.039 inch	
mm	inch
30	1.17
45	1.76
63	2.46
78	3.04

GN-302.2 (d1)

METRIC

Code	Description	d1	l1	d3	d4	h1	h2	h3	h4	tmin	Δ
GN.69624	GN 302.2-30-M4-SW	M 4	30	10	13	24.5	4	22	3.5	9	26
GN.69621	GN 302.2-30-M4-OS	M 4	30	10	13	24.5	4	22	3.5	9	26
GN.69622	GN 302.2-30-M4-RS	M 4	30	10	13	24.5	4	22	3.5	9	26
GN.69623	GN 302.2-30-M4-SR	M 4	30	10	13	24.5	4	22	3.5	9	26
GN.69654	GN 302.2-30-M5-SW	M 5	30	10	13	24.5	4	22	3.5	9	25
GN.69651	GN 302.2-30-M5-OS	M 5	30	10	13	24.5	4	22	3.5	9	25
GN.69652	GN 302.2-30-M5-RS	M 5	30	10	13	24.5	4	22	3.5	9	25
GN.69653	GN 302.2-30-M5-SR	M 5	30	10	13	24.5	4	22	3.5	9	25
GN.69694	GN 302.2-30-M6-SW	M 6	30	10	13	24.5	4	22	3.5	9	24
GN.69691	GN 302.2-30-M6-OS	M 6	30	10	13	24.5	4	22	3.5	9	24
GN.69692	GN 302.2-30-M6-RS	M 6	30	10	13	24.5	4	22	3.5	9	24
GN.69693	GN 302.2-30-M6-SR	M 6	30	10	13	24.5	4	22	3.5	9	24
GN.69734	GN 302.2-45-M4-SW	M 4	45	10	13	24.5	4	22	3.5	9	33
GN.69731	GN 302.2-45-M4-OS	M 4	45	10	13	24.5	4	22	3.5	9	33
GN.69732	GN 302.2-45-M4-RS	M 4	45	10	13	24.5	4	22	3.5	9	33
GN.69733	GN 302.2-45-M4-SR	M 4	45	10	13	24.5	4	22	3.5	9	33
GN.69764	GN 302.2-45-M5-SW	M 5	45	10	13	24.5	4	22	3.5	9	32
GN.69761	GN 302.2-45-M5-OS	M 5	45	10	13	24.5	4	22	3.5	9	32
GN.69762	GN 302.2-45-M5-RS	M 5	45	10	13	24.5	4	22	3.5	9	32
GN.69763	GN 302.2-45-M5-SR	M 5	45	10	13	24.5	4	22	3.5	9	32
GN.69804	GN 302.2-45-M6-SW	M 6	45	10	13	24.5	4	22	3.5	9	31
GN.69801	GN 302.2-45-M6-OS	M 6	45	10	13	24.5	4	22	3.5	9	31
GN.69802	GN 302.2-45-M6-RS	M 6	45	10	13	24.5	4	22	3.5	9	31
GN.69803	GN 302.2-45-M6-SR	M 6	45	10	13	24.5	4	22	3.5	9	31
GN.69844	GN 302.2-63-M6-SW	M 6	63	13.5	17.5	31	6.5	28.5	4	11	78
GN.69841	GN 302.2-63-M6-OS	M 6	63	13.5	17.5	31	6.5	28.5	4	11	78
GN.69842	GN 302.2-63-M6-RS	M 6	63	13.5	17.5	31	6.5	28.5	4	11	78
GN.69843	GN 302.2-63-M6-SR	M 6	63	13.5	17.5	31	6.5	28.5	4	11	78
GN.69884	GN 302.2-63-M8-SW	M 8	63	13.5	17.5	31	6.5	28.5	4	11	76
GN.69881	GN 302.2-63-M8-OS	M 8	63	13.5	17.5	31	6.5	28.5	4	11	76
GN.69882	GN 302.2-63-M8-RS	M 8	63	13.5	17.5	31	6.5	28.5	4	11	76
GN.69883	GN 302.2-63-M8-SR	M 8	63	13.5	17.5	31	6.5	28.5	4	11	76
GN.69924	GN 302.2-78-M8-SW	M 8	78	16	21	36	8	34	4	14	124
GN.69921	GN 302.2-78-M8-OS	M 8	78	16	21	36	8	34	4	14	124
GN.69922	GN 302.2-78-M8-RS	M 8	78	16	21	36	8	34	4	14	124
GN.69923	GN 302.2-78-M8-SR	M 8	78	16	21	36	8	34	4	14	124
GN.69964	GN 302.2-78-M10-SW	M 10	78	16	21	36	8	34	4	14	121
GN.69961	GN 302.2-78-M10-OS	M 10	78	16	21	36	8	34	4	14	121
GN.69962	GN 302.2-78-M10-RS	M 10	78	16	21	36	8	34	4	14	121
GN.69963	GN 302.2-78-M10-SR	M 10	78	16	21	36	8	34	4	14	121

Clamping handles



Conversion Table	
1 mm = 0.039 inch	
↓	
mm	inch
22	0.86

GN-302.2 (d1 - l2)

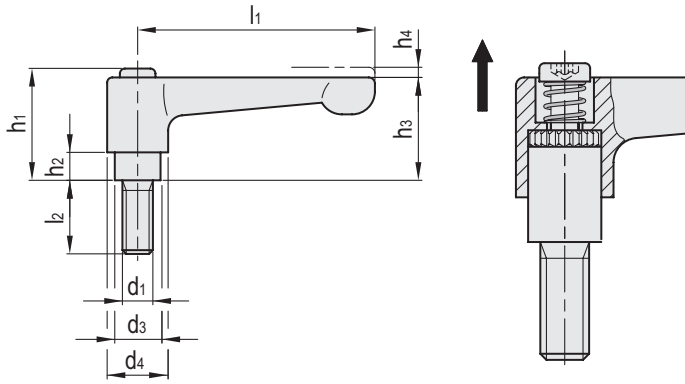
METRIC

Code	Description	d1	l1	d3	d4	h1	h2	h3	h4	l2	⚖
GN.69538	GN 302.2-22-M3-6-SW	M 3	22	8	10.5	18.5	2	16.5	3	6	13
GN.69535	GN 302.2-22-M3-6-OS	M 3	22	8	10.5	18.5	2	16.5	3	6	13
GN.69536	GN 302.2-22-M3-6-RS	M 3	22	8	10.5	18.5	2	16.5	3	6	13
GN.69537	GN 302.2-22-M3-6-SR	M 3	22	8	10.5	18.5	2	16.5	3	6	13
GN.69542	GN 302.2-22-M3-8-SW	M 3	22	8	10.5	18.5	2	16.5	3	8	13
GN.69539	GN 302.2-22-M3-8-OS	M 3	22	8	10.5	18.5	2	16.5	3	8	13
GN.69540	GN 302.2-22-M3-8-RS	M 3	22	8	10.5	18.5	2	16.5	3	8	13
GN.69541	GN 302.2-22-M3-8-SR	M 3	22	8	10.5	18.5	2	16.5	3	8	13
GN.69546	GN 302.2-22-M3-10-SW	M 3	22	8	10.5	18.5	2	16.5	3	10	14
GN.69543	GN 302.2-22-M3-10-OS	M 3	22	8	10.5	18.5	2	16.5	3	10	14
GN.69544	GN 302.2-22-M3-10-RS	M 3	22	8	10.5	18.5	2	16.5	3	10	14
GN.69545	GN 302.2-22-M3-10-SR	M 3	22	8	10.5	18.5	2	16.5	3	10	14
GN.69550	GN 302.2-22-M3-12-SW	M 3	22	8	10.5	18.5	2	16.5	3	12	14
GN.69547	GN 302.2-22-M3-12-OS	M 3	22	8	10.5	18.5	2	16.5	3	12	14
GN.69548	GN 302.2-22-M3-12-RS	M 3	22	8	10.5	18.5	2	16.5	3	12	14
GN.69549	GN 302.2-22-M3-12-SR	M 3	22	8	10.5	18.5	2	16.5	3	12	14
GN.69554	GN 302.2-22-M3-16-SW	M 3	22	8	10.5	18.5	2	16.5	3	16	14
GN.69551	GN 302.2-22-M3-16-OS	M 3	22	8	10.5	18.5	2	16.5	3	16	14
GN.69552	GN 302.2-22-M3-16-RS	M 3	22	8	10.5	18.5	2	16.5	3	16	14
GN.69553	GN 302.2-22-M3-16-SR	M 3	22	8	10.5	18.5	2	16.5	3	16	14
GN.69568	GN 302.2-22-M4-12-SW	M 4	22	8	10.5	18.5	2	16.5	3	12	14
GN.69565	GN 302.2-22-M4-12-OS	M 4	22	8	10.5	18.5	2	16.5	3	12	14
GN.69566	GN 302.2-22-M4-12-RS	M 4	22	8	10.5	18.5	2	16.5	3	12	14
GN.69567	GN 302.2-22-M4-12-SR	M 4	22	8	10.5	18.5	2	16.5	3	12	14
GN.69572	GN 302.2-22-M4-16-SW	M 4	22	8	10.5	18.5	2	16.5	3	16	15
GN.69569	GN 302.2-22-M4-16-OS	M 4	22	8	10.5	18.5	2	16.5	3	16	15
GN.69570	GN 302.2-22-M4-16-RS	M 4	22	8	10.5	18.5	2	16.5	3	16	15
GN.69571	GN 302.2-22-M4-16-SR	M 4	22	8	10.5	18.5	2	16.5	3	16	15
GN.69576	GN 302.2-22-M4-20-SW	M 4	22	8	10.5	18.5	2	16.5	3	20	15
GN.69573	GN 302.2-22-M4-20-OS	M 4	22	8	10.5	18.5	2	16.5	3	20	15
GN.69574	GN 302.2-22-M4-20-RS	M 4	22	8	10.5	18.5	2	16.5	3	20	15
GN.69575	GN 302.2-22-M4-20-SR	M 4	22	8	10.5	18.5	2	16.5	3	20	15
GN.69580	GN 302.2-22-M4-25-SW	M 4	22	8	10.5	18.5	2	16.5	3	25	15
GN.69577	GN 302.2-22-M4-25-OS	M 4	22	8	10.5	18.5	2	16.5	3	25	15
GN.69578	GN 302.2-22-M4-25-RS	M 4	22	8	10.5	18.5	2	16.5	3	25	15
GN.69579	GN 302.2-22-M4-25-SR	M 4	22	8	10.5	18.5	2	16.5	3	25	15
GN.69584	GN 302.2-22-M4-32-SW	M 4	22	8	10.5	18.5	2	16.5	3	32	16
GN.69581	GN 302.2-22-M4-32-OS	M 4	22	8	10.5	18.5	2	16.5	3	32	16
GN.69582	GN 302.2-22-M4-32-RS	M 4	22	8	10.5	18.5	2	16.5	3	32	16
GN.69583	GN 302.2-22-M4-32-SR	M 4	22	8	10.5	18.5	2	16.5	3	32	16
GN.69598	GN 302.2-22-M5-12-SW	M 5	22	8	10.5	18.5	2	16.5	3	12	15
GN.69595	GN 302.2-22-M5-12-OS	M 5	22	8	10.5	18.5	2	16.5	3	12	15
GN.69596	GN 302.2-22-M5-12-RS	M 5	22	8	10.5	18.5	2	16.5	3	12	15
GN.69597	GN 302.2-22-M5-12-SR	M 5	22	8	10.5	18.5	2	16.5	3	12	15
GN.69602	GN 302.2-22-M5-16-SW	M 5	22	8	10.5	18.5	2	16.5	3	16	15
GN.69599	GN 302.2-22-M5-16-OS	M 5	22	8	10.5	18.5	2	16.5	3	16	15
GN.69600	GN 302.2-22-M5-16-RS	M 5	22	8	10.5	18.5	2	16.5	3	16	15
GN.69601	GN 302.2-22-M5-16-SR	M 5	22	8	10.5	18.5	2	16.5	3	16	15
GN.69606	GN 302.2-22-M5-20-SW	M 5	22	8	10.5	18.5	2	16.5	3	20	16
GN.69603	GN 302.2-22-M5-20-OS	M 5	22	8	10.5	18.5	2	16.5	3	20	16
GN.69604	GN 302.2-22-M5-20-RS	M 5	22	8	10.5	18.5	2	16.5	3	20	16
GN.69605	GN 302.2-22-M5-20-SR	M 5	22	8	10.5	18.5	2	16.5	3	20	16
GN.69610	GN 302.2-22-M5-25-SW	M 5	22	8	10.5	18.5	2	16.5	3	25	17
GN.69607	GN 302.2-22-M5-25-OS	M 5	22	8	10.5	18.5	2	16.5	3	25	17
GN.69608	GN 302.2-22-M5-25-RS	M 5	22	8	10.5	18.5	2	16.5	3	25	17
GN.69609	GN 302.2-22-M5-25-SR	M 5	22	8	10.5	18.5	2	16.5	3	25	17
GN.69614	GN 302.2-22-M5-32-SW	M 5	22	8	10.5	18.5	2	16.5	3	32	18
GN.69611	GN 302.2-22-M5-32-OS	M 5	22	8	10.5	18.5	2	16.5	3	32	18
GN.69612	GN 302.2-22-M5-32-RS	M 5	22	8	10.5	18.5	2	16.5	3	32	18
GN.69613	GN 302.2-22-M5-32-SR	M 5	22	8	10.5	18.5	2	16.5	3	32	18



Clamping handles

- 1
- 2
- 3
- 4
- 5
- 6
- 7
- 8
- 9
- 10
- 11
- 12
- 13
- 14
- 15
- 16
- 17
- 18



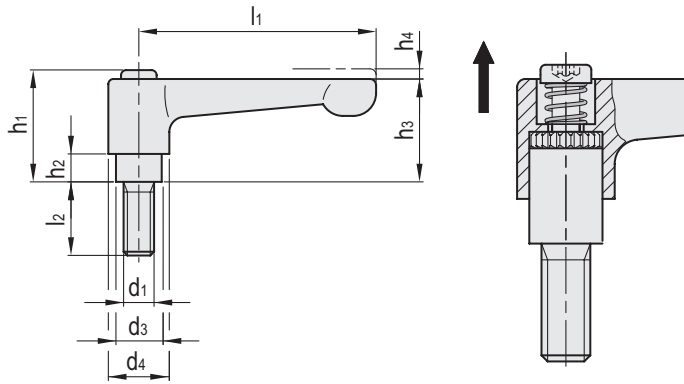
Conversion Table	
1 mm = 0.039 inch	
l1	
mm	inch
30	1.17

METRIC

GN-302.2 (d1 - l2)

Code	Description	d1	l1	d3	d4	h1	h2	h3	h4	l2	△
GN.69628	GN 302.2-30-M4-12-SW	M 4	30	10	13	24.5	4	22	3.5	12	27
GN.69625	GN 302.2-30-M4-12-OS	M 4	30	10	13	24.5	4	22	3.5	12	27
GN.69626	GN 302.2-30-M4-12-RS	M 4	30	10	13	24.5	4	22	3.5	12	27
GN.69627	GN 302.2-30-M4-12-SR	M 4	30	10	13	24.5	4	22	3.5	12	27
GN.69632	GN 302.2-30-M4-16-SW	M 4	30	10	13	24.5	4	22	3.5	16	28
GN.69629	GN 302.2-30-M4-16-OS	M 4	30	10	13	24.5	4	22	3.5	16	28
GN.69630	GN 302.2-30-M4-16-RS	M 4	30	10	13	24.5	4	22	3.5	16	28
GN.69631	GN 302.2-30-M4-16-SR	M 4	30	10	13	24.5	4	22	3.5	16	28
GN.69636	GN 302.2-30-M4-20-SW	M 4	30	10	13	24.5	4	22	3.5	20	28
GN.69633	GN 302.2-30-M4-20-OS	M 4	30	10	13	24.5	4	22	3.5	20	28
GN.69634	GN 302.2-30-M4-20-RS	M 4	30	10	13	24.5	4	22	3.5	20	28
GN.69635	GN 302.2-30-M4-20-SR	M 4	30	10	13	24.5	4	22	3.5	20	28
GN.69640	GN 302.2-30-M4-25-SW	M 4	30	10	13	24.5	4	22	3.5	25	29
GN.69637	GN 302.2-30-M4-25-OS	M 4	30	10	13	24.5	4	22	3.5	25	29
GN.69638	GN 302.2-30-M4-25-RS	M 4	30	10	13	24.5	4	22	3.5	25	29
GN.69639	GN 302.2-30-M4-25-SR	M 4	30	10	13	24.5	4	22	3.5	25	29
GN.69644	GN 302.2-30-M4-32-SW	M 4	30	10	13	24.5	4	22	3.5	32	29
GN.69641	GN 302.2-30-M4-32-OS	M 4	30	10	13	24.5	4	22	3.5	32	29
GN.69642	GN 302.2-30-M4-32-RS	M 4	30	10	13	24.5	4	22	3.5	32	29
GN.69643	GN 302.2-30-M4-32-SR	M 4	30	10	13	24.5	4	22	3.5	32	29
GN.69658	GN 302.2-30-M5-12-SW	M 5	30	10	13	24.5	4	22	3.5	12	28
GN.69655	GN 302.2-30-M5-12-OS	M 5	30	10	13	24.5	4	22	3.5	12	28
GN.69656	GN 302.2-30-M5-12-RS	M 5	30	10	13	24.5	4	22	3.5	12	28
GN.69657	GN 302.2-30-M5-12-SR	M 5	30	10	13	24.5	4	22	3.5	12	28
GN.69662	GN 302.2-30-M5-16-SW	M 5	30	10	13	24.5	4	22	3.5	16	29
GN.69659	GN 302.2-30-M5-16-OS	M 5	30	10	13	24.5	4	22	3.5	16	29
GN.69660	GN 302.2-30-M5-16-RS	M 5	30	10	13	24.5	4	22	3.5	16	29
GN.69661	GN 302.2-30-M5-16-SR	M 5	30	10	13	24.5	4	22	3.5	16	29
GN.69666	GN 302.2-30-M5-20-SW	M 5	30	10	13	24.5	4	22	3.5	20	29
GN.69663	GN 302.2-30-M5-20-OS	M 5	30	10	13	24.5	4	22	3.5	20	29
GN.69664	GN 302.2-30-M5-20-RS	M 5	30	10	13	24.5	4	22	3.5	20	29
GN.69665	GN 302.2-30-M5-20-SR	M 5	30	10	13	24.5	4	22	3.5	20	29
GN.69670	GN 302.2-30-M5-25-SW	M 5	30	10	13	24.5	4	22	3.5	25	30
GN.69667	GN 302.2-30-M5-25-OS	M 5	30	10	13	24.5	4	22	3.5	25	30
GN.69668	GN 302.2-30-M5-25-RS	M 5	30	10	13	24.5	4	22	3.5	25	30
GN.69669	GN 302.2-30-M5-25-SR	M 5	30	10	13	24.5	4	22	3.5	25	30
GN.69674	GN 302.2-30-M5-32-SW	M 5	30	10	13	24.5	4	22	3.5	32	31
GN.69671	GN 302.2-30-M5-32-OS	M 5	30	10	13	24.5	4	22	3.5	32	31
GN.69672	GN 302.2-30-M5-32-RS	M 5	30	10	13	24.5	4	22	3.5	32	31
GN.69673	GN 302.2-30-M5-32-SR	M 5	30	10	13	24.5	4	22	3.5	32	31
GN.69678	GN 302.2-30-M5-40-SW	M 5	30	10	13	24.5	4	22	3.5	40	32
GN.69675	GN 302.2-30-M5-40-OS	M 5	30	10	13	24.5	4	22	3.5	40	32
GN.69676	GN 302.2-30-M5-40-RS	M 5	30	10	13	24.5	4	22	3.5	40	32
GN.69677	GN 302.2-30-M5-40-SR	M 5	30	10	13	24.5	4	22	3.5	40	32
GN.69682	GN 302.2-30-M5-50-SW	M 5	30	10	13	24.5	4	22	3.5	50	34
GN.69679	GN 302.2-30-M5-50-OS	M 5	30	10	13	24.5	4	22	3.5	50	34
GN.69680	GN 302.2-30-M5-50-RS	M 5	30	10	13	24.5	4	22	3.5	50	34
GN.69681	GN 302.2-30-M5-50-SR	M 5	30	10	13	24.5	4	22	3.5	50	34

Clamping handles



Conversion Table	
1 mm = 0.039 inch	
↓	
mm	inch
30	1.17
45	1.76

GN-302.2 (d1 - l2)

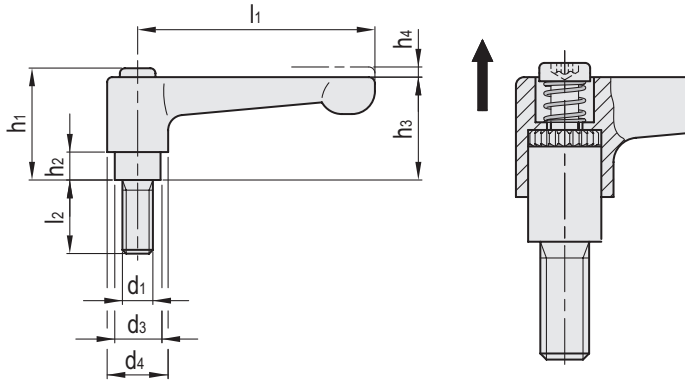
METRIC

Code	Description	d1	l1	d3	d4	h1	h2	h3	h4	l2	⚖️
GN.69698	GN 302.2-30-M6-12-SW	M 6	30	10	13	24.5	4	22	3.5	12	29
GN.69695	GN 302.2-30-M6-12-OS	M 6	30	10	13	24.5	4	22	3.5	12	29
GN.69696	GN 302.2-30-M6-12-RS	M 6	30	10	13	24.5	4	22	3.5	12	29
GN.69697	GN 302.2-30-M6-12-SR	M 6	30	10	13	24.5	4	22	3.5	12	29
GN.69702	GN 302.2-30-M6-16-SW	M 6	30	10	13	24.5	4	22	3.5	16	30
GN.69699	GN 302.2-30-M6-16-OS	M 6	30	10	13	24.5	4	22	3.5	16	30
GN.69700	GN 302.2-30-M6-16-RS	M 6	30	10	13	24.5	4	22	3.5	16	30
GN.69701	GN 302.2-30-M6-16-SR	M 6	30	10	13	24.5	4	22	3.5	16	30
GN.69706	GN 302.2-30-M6-20-SW	M 6	30	10	13	24.5	4	22	3.5	20	31
GN.69703	GN 302.2-30-M6-20-OS	M 6	30	10	13	24.5	4	22	3.5	20	31
GN.69704	GN 302.2-30-M6-20-RS	M 6	30	10	13	24.5	4	22	3.5	20	31
GN.69705	GN 302.2-30-M6-20-SR	M 6	30	10	13	24.5	4	22	3.5	20	31
GN.69710	GN 302.2-30-M6-25-SW	M 6	30	10	13	24.5	4	22	3.5	25	32
GN.69707	GN 302.2-30-M6-25-OS	M 6	30	10	13	24.5	4	22	3.5	25	32
GN.69708	GN 302.2-30-M6-25-RS	M 6	30	10	13	24.5	4	22	3.5	25	32
GN.69709	GN 302.2-30-M6-25-SR	M 6	30	10	13	24.5	4	22	3.5	25	32
GN.69714	GN 302.2-30-M6-32-SW	M 6	30	10	13	24.5	4	22	3.5	32	33
GN.69711	GN 302.2-30-M6-32-OS	M 6	30	10	13	24.5	4	22	3.5	32	33
GN.69712	GN 302.2-30-M6-32-RS	M 6	30	10	13	24.5	4	22	3.5	32	33
GN.69713	GN 302.2-30-M6-32-SR	M 6	30	10	13	24.5	4	22	3.5	32	33
GN.69718	GN 302.2-30-M6-40-SW	M 6	30	10	13	24.5	4	22	3.5	40	35
GN.69715	GN 302.2-30-M6-40-OS	M 6	30	10	13	24.5	4	22	3.5	40	35
GN.69716	GN 302.2-30-M6-40-RS	M 6	30	10	13	24.5	4	22	3.5	40	35
GN.69717	GN 302.2-30-M6-40-SR	M 6	30	10	13	24.5	4	22	3.5	40	35
GN.69722	GN 302.2-30-M6-50-SW	M 6	30	10	13	24.5	4	22	3.5	50	37
GN.69719	GN 302.2-30-M6-50-OS	M 6	30	10	13	24.5	4	22	3.5	50	37
GN.69720	GN 302.2-30-M6-50-RS	M 6	30	10	13	24.5	4	22	3.5	50	37
GN.69721	GN 302.2-30-M6-50-SR	M 6	30	10	13	24.5	4	22	3.5	50	37
GN.69738	GN 302.2-45-M4-12-SW	M 4	45	10	13	24.5	4	22	3.5	12	35
GN.69735	GN 302.2-45-M4-12-OS	M 4	45	10	13	24.5	4	22	3.5	12	35
GN.69736	GN 302.2-45-M4-12-RS	M 4	45	10	13	24.5	4	22	3.5	12	35
GN.69737	GN 302.2-45-M4-12-SR	M 4	45	10	13	24.5	4	22	3.5	12	35
GN.69742	GN 302.2-45-M4-16-SW	M 4	45	10	13	24.5	4	22	3.5	16	35
GN.69739	GN 302.2-45-M4-16-OS	M 4	45	10	13	24.5	4	22	3.5	16	35
GN.69740	GN 302.2-45-M4-16-RS	M 4	45	10	13	24.5	4	22	3.5	16	35
GN.69741	GN 302.2-45-M4-16-SR	M 4	45	10	13	24.5	4	22	3.5	16	35
GN.69746	GN 302.2-45-M4-20-SW	M 4	45	10	13	24.5	4	22	3.5	20	35
GN.69743	GN 302.2-45-M4-20-OS	M 4	45	10	13	24.5	4	22	3.5	20	35
GN.69744	GN 302.2-45-M4-20-RS	M 4	45	10	13	24.5	4	22	3.5	20	35
GN.69745	GN 302.2-45-M4-20-SR	M 4	45	10	13	24.5	4	22	3.5	20	35
GN.69750	GN 302.2-45-M4-25-SW	M 4	45	10	13	24.5	4	22	3.5	25	36
GN.69747	GN 302.2-45-M4-25-OS	M 4	45	10	13	24.5	4	22	3.5	25	36
GN.69748	GN 302.2-45-M4-25-RS	M 4	45	10	13	24.5	4	22	3.5	25	36
GN.69749	GN 302.2-45-M4-25-SR	M 4	45	10	13	24.5	4	22	3.5	25	36
GN.69754	GN 302.2-45-M4-32-SW	M 4	45	10	13	24.5	4	22	3.5	32	37
GN.69751	GN 302.2-45-M4-32-OS	M 4	45	10	13	24.5	4	22	3.5	32	37
GN.69752	GN 302.2-45-M4-32-RS	M 4	45	10	13	24.5	4	22	3.5	32	37
GN.69753	GN 302.2-45-M4-32-SR	M 4	45	10	13	24.5	4	22	3.5	32	37



Clamping handles

- 1
- 2
- 3
- 4
- 5
- 6
- 7
- 8
- 9
- 10
- 11
- 12
- 13
- 14
- 15
- 16
- 17
- 18



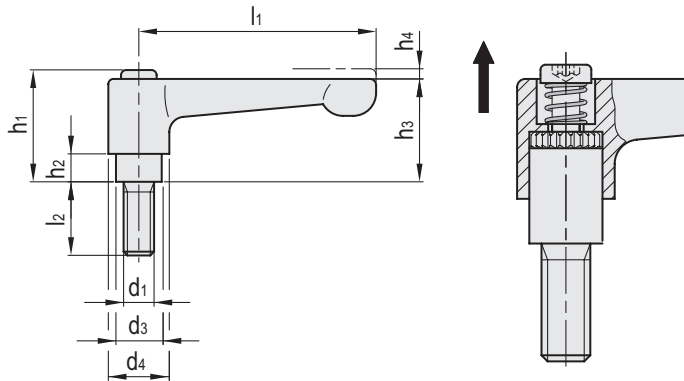
Conversion Table	
1 mm = 0,039 inch	
l1	
mm	inch
45	1.76

GN-302.2 (d1 - l2)

METRIC

Code	Description	d1	l1	d3	d4	h1	h2	h3	h4	l2	Δ±
GN.69768	GN 302.2-45-M5-12-SW	M 5	45	10	13	24.5	4	22	3.5	12	35
GN.69765	GN 302.2-45-M5-12-OS	M 5	45	10	13	24.5	4	22	3.5	12	35
GN.69766	GN 302.2-45-M5-12-RS	M 5	45	10	13	24.5	4	22	3.5	12	35
GN.69767	GN 302.2-45-M5-12-SR	M 5	45	10	13	24.5	4	22	3.5	12	35
GN.69772	GN 302.2-45-M5-16-SW	M 5	45	10	13	24.5	4	22	3.5	16	36
GN.69769	GN 302.2-45-M5-16-OS	M 5	45	10	13	24.5	4	22	3.5	16	36
GN.69770	GN 302.2-45-M5-16-RS	M 5	45	10	13	24.5	4	22	3.5	16	36
GN.69771	GN 302.2-45-M5-16-SR	M 5	45	10	13	24.5	4	22	3.5	16	36
GN.69776	GN 302.2-45-M5-20-SW	M 5	45	10	13	24.5	4	22	3.5	20	36
GN.69773	GN 302.2-45-M5-20-OS	M 5	45	10	13	24.5	4	22	3.5	20	36
GN.69774	GN 302.2-45-M5-20-RS	M 5	45	10	13	24.5	4	22	3.5	20	36
GN.69775	GN 302.2-45-M5-20-SR	M 5	45	10	13	24.5	4	22	3.5	20	36
GN.69780	GN 302.2-45-M5-25-SW	M 5	45	10	13	24.5	4	22	3.5	25	37
GN.69777	GN 302.2-45-M5-25-OS	M 5	45	10	13	24.5	4	22	3.5	25	37
GN.69778	GN 302.2-45-M5-25-RS	M 5	45	10	13	24.5	4	22	3.5	25	37
GN.69779	GN 302.2-45-M5-25-SR	M 5	45	10	13	24.5	4	22	3.5	25	37
GN.69784	GN 302.2-45-M5-32-SW	M 5	45	10	13	24.5	4	22	3.5	32	38
GN.69781	GN 302.2-45-M5-32-OS	M 5	45	10	13	24.5	4	22	3.5	32	38
GN.69782	GN 302.2-45-M5-32-RS	M 5	45	10	13	24.5	4	22	3.5	32	38
GN.69783	GN 302.2-45-M5-32-SR	M 5	45	10	13	24.5	4	22	3.5	32	38
GN.69788	GN 302.2-45-M5-40-SW	M 5	45	10	13	24.5	4	22	3.5	40	39
GN.69785	GN 302.2-45-M5-40-OS	M 5	45	10	13	24.5	4	22	3.5	40	39
GN.69786	GN 302.2-45-M5-40-RS	M 5	45	10	13	24.5	4	22	3.5	40	39
GN.69787	GN 302.2-45-M5-40-SR	M 5	45	10	13	24.5	4	22	3.5	40	39
GN.69792	GN 302.2-45-M5-50-SW	M 5	45	10	13	24.5	4	22	3.5	50	41
GN.69789	GN 302.2-45-M5-50-OS	M 5	45	10	13	24.5	4	22	3.5	50	41
GN.69790	GN 302.2-45-M5-50-RS	M 5	45	10	13	24.5	4	22	3.5	50	41
GN.69791	GN 302.2-45-M5-50-SR	M 5	45	10	13	24.5	4	22	3.5	50	41
GN.69808	GN 302.2-45-M6-12-SW	M 6	45	10	13	24.5	4	22	3.5	12	36
GN.69805	GN 302.2-45-M6-12-OS	M 6	45	10	13	24.5	4	22	3.5	12	36
GN.69806	GN 302.2-45-M6-12-RS	M 6	45	10	13	24.5	4	22	3.5	12	36
GN.69807	GN 302.2-45-M6-12-SR	M 6	45	10	13	24.5	4	22	3.5	12	36
GN.69812	GN 302.2-45-M6-16-SW	M 6	45	10	13	24.5	4	22	3.5	16	37
GN.69809	GN 302.2-45-M6-16-OS	M 6	45	10	13	24.5	4	22	3.5	16	37
GN.69810	GN 302.2-45-M6-16-RS	M 6	45	10	13	24.5	4	22	3.5	16	37
GN.69811	GN 302.2-45-M6-16-SR	M 6	45	10	13	24.5	4	22	3.5	16	37
GN.69816	GN 302.2-45-M6-20-SW	M 6	45	10	13	24.5	4	22	3.5	20	38
GN.69813	GN 302.2-45-M6-20-OS	M 6	45	10	13	24.5	4	22	3.5	20	38
GN.69814	GN 302.2-45-M6-20-RS	M 6	45	10	13	24.5	4	22	3.5	20	38
GN.69815	GN 302.2-45-M6-20-SR	M 6	45	10	13	24.5	4	22	3.5	20	38
GN.69820	GN 302.2-45-M6-25-SW	M 6	45	10	13	24.5	4	22	3.5	25	39
GN.69817	GN 302.2-45-M6-25-OS	M 6	45	10	13	24.5	4	22	3.5	25	39
GN.69818	GN 302.2-45-M6-25-RS	M 6	45	10	13	24.5	4	22	3.5	25	39
GN.69819	GN 302.2-45-M6-25-SR	M 6	45	10	13	24.5	4	22	3.5	25	39
GN.69824	GN 302.2-45-M6-32-SW	M 6	45	10	13	24.5	4	22	3.5	32	40
GN.69821	GN 302.2-45-M6-32-OS	M 6	45	10	13	24.5	4	22	3.5	32	40
GN.69822	GN 302.2-45-M6-32-RS	M 6	45	10	13	24.5	4	22	3.5	32	40
GN.69823	GN 302.2-45-M6-32-SR	M 6	45	10	13	24.5	4	22	3.5	32	40
GN.69828	GN 302.2-45-M6-40-SW	M 6	45	10	13	24.5	4	22	3.5	40	42
GN.69825	GN 302.2-45-M6-40-OS	M 6	45	10	13	24.5	4	22	3.5	40	42
GN.69826	GN 302.2-45-M6-40-RS	M 6	45	10	13	24.5	4	22	3.5	40	42
GN.69827	GN 302.2-45-M6-40-SR	M 6	45	10	13	24.5	4	22	3.5	40	42
GN.69832	GN 302.2-45-M6-50-SW	M 6	45	10	13	24.5	4	22	3.5	50	44
GN.69829	GN 302.2-45-M6-50-OS	M 6	45	10	13	24.5	4	22	3.5	50	44
GN.69830	GN 302.2-45-M6-50-RS	M 6	45	10	13	24.5	4	22	3.5	50	44
GN.69831	GN 302.2-45-M6-50-SR	M 6	45	10	13	24.5	4	22	3.5	50	44

Clamping handles

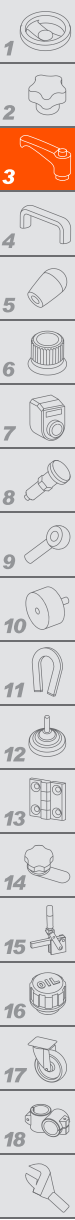


Conversion Table	
1 mm = 0.039 inch	
l1	
mm	inch
63	2.46

GN-302.2 (d1 - l2)

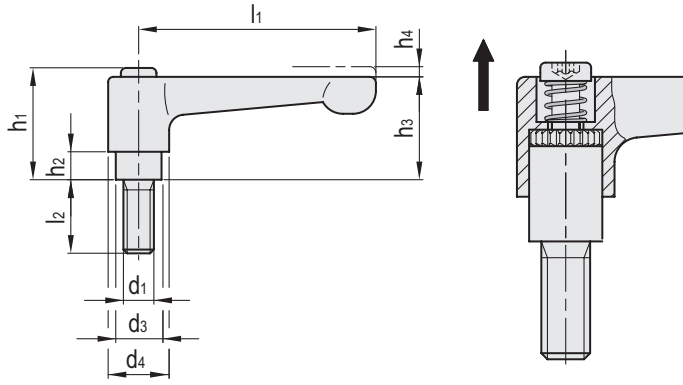
METRIC

Code	Description	d1	l1	d3	d4	h1	h2	h3	h4	l2	⚖
GN.69848	GN 302.2-63-M6-16-SW	M 6	63	13.5	17.5	31	6.5	28.5	4	16	83
GN.69845	GN 302.2-63-M6-16-OS	M 6	63	13.5	17.5	31	6.5	28.5	4	16	83
GN.69846	GN 302.2-63-M6-16-RS	M 6	63	13.5	17.5	31	6.5	28.5	4	16	83
GN.69847	GN 302.2-63-M6-16-SR	M 6	63	13.5	17.5	31	6.5	28.5	4	16	83
GN.69852	GN 302.2-63-M6-20-SW	M 6	63	13.5	17.5	31	6.5	28.5	4	20	84
GN.69849	GN 302.2-63-M6-20-OS	M 6	63	13.5	17.5	31	6.5	28.5	4	20	84
GN.69850	GN 302.2-63-M6-20-RS	M 6	63	13.5	17.5	31	6.5	28.5	4	20	84
GN.69851	GN 302.2-63-M6-20-SR	M 6	63	13.5	17.5	31	6.5	28.5	4	20	84
GN.69856	GN 302.2-63-M6-25-SW	M 6	63	13.5	17.5	31	6.5	28.5	4	25	85
GN.69853	GN 302.2-63-M6-25-OS	M 6	63	13.5	17.5	31	6.5	28.5	4	25	85
GN.69854	GN 302.2-63-M6-25-RS	M 6	63	13.5	17.5	31	6.5	28.5	4	25	85
GN.69855	GN 302.2-63-M6-25-SR	M 6	63	13.5	17.5	31	6.5	28.5	4	25	85
GN.69860	GN 302.2-63-M6-32-SW	M 6	63	13.5	17.5	31	6.5	28.5	4	32	86
GN.69857	GN 302.2-63-M6-32-OS	M 6	63	13.5	17.5	31	6.5	28.5	4	32	86
GN.69858	GN 302.2-63-M6-32-RS	M 6	63	13.5	17.5	31	6.5	28.5	4	32	86
GN.69859	GN 302.2-63-M6-32-SR	M 6	63	13.5	17.5	31	6.5	28.5	4	32	86
GN.69864	GN 302.2-63-M6-40-SW	M 6	63	13.5	17.5	31	6.5	28.5	4	40	88
GN.69861	GN 302.2-63-M6-40-OS	M 6	63	13.5	17.5	31	6.5	28.5	4	40	88
GN.69862	GN 302.2-63-M6-40-RS	M 6	63	13.5	17.5	31	6.5	28.5	4	40	88
GN.69863	GN 302.2-63-M6-40-SR	M 6	63	13.5	17.5	31	6.5	28.5	4	40	88
GN.69868	GN 302.2-63-M6-50-SW	M 6	63	13.5	17.5	31	6.5	28.5	4	50	90
GN.69865	GN 302.2-63-M6-50-OS	M 6	63	13.5	17.5	31	6.5	28.5	4	50	90
GN.69866	GN 302.2-63-M6-50-RS	M 6	63	13.5	17.5	31	6.5	28.5	4	50	90
GN.69867	GN 302.2-63-M6-50-SR	M 6	63	13.5	17.5	31	6.5	28.5	4	50	90
GN.69872	GN 302.2-63-M6-63-SW	M 6	63	13.5	17.5	31	6.5	28.5	4	63	93
GN.69869	GN 302.2-63-M6-63-OS	M 6	63	13.5	17.5	31	6.5	28.5	4	63	93
GN.69870	GN 302.2-63-M6-63-RS	M 6	63	13.5	17.5	31	6.5	28.5	4	63	93
GN.69871	GN 302.2-63-M6-63-SR	M 6	63	13.5	17.5	31	6.5	28.5	4	63	93
GN.69888	GN 302.2-63-M8-16-SW	M 8	63	13.5	17.5	31	6.5	28.5	4	16	86
GN.69885	GN 302.2-63-M8-16-OS	M 8	63	13.5	17.5	31	6.5	28.5	4	16	86
GN.69886	GN 302.2-63-M8-16-RS	M 8	63	13.5	17.5	31	6.5	28.5	4	16	86
GN.69887	GN 302.2-63-M8-16-SR	M 8	63	13.5	17.5	31	6.5	28.5	4	16	86
GN.69892	GN 302.2-63-M8-20-SW	M 8	63	13.5	17.5	31	6.5	28.5	4	20	87
GN.69889	GN 302.2-63-M8-20-OS	M 8	63	13.5	17.5	31	6.5	28.5	4	20	87
GN.69890	GN 302.2-63-M8-20-RS	M 8	63	13.5	17.5	31	6.5	28.5	4	20	87
GN.69891	GN 302.2-63-M8-20-SR	M 8	63	13.5	17.5	31	6.5	28.5	4	20	87
GN.69896	GN 302.2-63-M8-25-SW	M 8	63	13.5	17.5	31	6.5	28.5	4	25	89
GN.69893	GN 302.2-63-M8-25-OS	M 8	63	13.5	17.5	31	6.5	28.5	4	25	89
GN.69894	GN 302.2-63-M8-25-RS	M 8	63	13.5	17.5	31	6.5	28.5	4	25	89
GN.69895	GN 302.2-63-M8-25-SR	M 8	63	13.5	17.5	31	6.5	28.5	4	25	89
GN.69900	GN 302.2-63-M8-32-SW	M 8	63	13.5	17.5	31	6.5	28.5	4	32	92
GN.69897	GN 302.2-63-M8-32-OS	M 8	63	13.5	17.5	31	6.5	28.5	4	32	92
GN.69898	GN 302.2-63-M8-32-RS	M 8	63	13.5	17.5	31	6.5	28.5	4	32	92
GN.69899	GN 302.2-63-M8-32-SR	M 8	63	13.5	17.5	31	6.5	28.5	4	32	92
GN.69904	GN 302.2-63-M8-40-SW	M 8	63	13.5	17.5	31	6.5	28.5	4	40	95
GN.69901	GN 302.2-63-M8-40-OS	M 8	63	13.5	17.5	31	6.5	28.5	4	40	95
GN.69902	GN 302.2-63-M8-40-RS	M 8	63	13.5	17.5	31	6.5	28.5	4	40	95
GN.69903	GN 302.2-63-M8-40-SR	M 8	63	13.5	17.5	31	6.5	28.5	4	40	95
GN.69908	GN 302.2-63-M8-50-SW	M 8	63	13.5	17.5	31	6.5	28.5	4	50	99
GN.69905	GN 302.2-63-M8-50-OS	M 8	63	13.5	17.5	31	6.5	28.5	4	50	99
GN.69906	GN 302.2-63-M8-50-RS	M 8	63	13.5	17.5	31	6.5	28.5	4	50	99
GN.69907	GN 302.2-63-M8-50-SR	M 8	63	13.5	17.5	31	6.5	28.5	4	50	99
GN.69912	GN 302.2-63-M8-63-SW	M 8	63	13.5	17.5	31	6.5	28.5	4	63	104
GN.69909	GN 302.2-63-M8-63-OS	M 8	63	13.5	17.5	31	6.5	28.5	4	63	104
GN.69910	GN 302.2-63-M8-63-RS	M 8	63	13.5	17.5	31	6.5	28.5	4	63	104
GN.69911	GN 302.2-63-M8-63-SR	M 8	63	13.5	17.5	31	6.5	28.5	4	63	104



Clamping handles

- 1
- 2
- 3
- 4
- 5
- 6
- 7
- 8
- 9
- 10
- 11
- 12
- 13
- 14
- 15
- 16
- 17
- 18



Conversion Table	
1 mm = 0,039 inch	
l1	
mm	inch
78	3.04

GN-302.2 (d1 - l2)

METRIC

Code	Description	d1	l1	d3	d4	h1	h2	h3	h4	l2	△
GN.69928	GN 302.2-78-M8-20-SW	M 8	78	16	21	36	8	34	4	20	137
GN.69925	GN 302.2-78-M8-20-OS	M 8	78	16	21	36	8	34	4	20	137
GN.69926	GN 302.2-78-M8-20-RS	M 8	78	16	21	36	8	34	4	20	137
GN.69927	GN 302.2-78-M8-20-SR	M 8	78	16	21	36	8	34	4	20	137
GN.69932	GN 302.2-78-M8-25-SW	M 8	78	16	21	36	8	34	4	25	139
GN.69929	GN 302.2-78-M8-25-OS	M 8	78	16	21	36	8	34	4	25	139
GN.69930	GN 302.2-78-M8-25-RS	M 8	78	16	21	36	8	34	4	25	139
GN.69931	GN 302.2-78-M8-25-SR	M 8	78	16	21	36	8	34	4	25	139
GN.69936	GN 302.2-78-M8-32-SW	M 8	78	16	21	36	8	34	4	32	141
GN.69933	GN 302.2-78-M8-32-OS	M 8	78	16	21	36	8	34	4	32	141
GN.69934	GN 302.2-78-M8-32-RS	M 8	78	16	21	36	8	34	4	32	141
GN.69935	GN 302.2-78-M8-32-SR	M 8	78	16	21	36	8	34	4	32	141
GN.69940	GN 302.2-78-M8-40-SW	M 8	78	16	21	36	8	34	4	40	144
GN.69937	GN 302.2-78-M8-40-OS	M 8	78	16	21	36	8	34	4	40	144
GN.69938	GN 302.2-78-M8-40-RS	M 8	78	16	21	36	8	34	4	40	144
GN.69939	GN 302.2-78-M8-40-SR	M 8	78	16	21	36	8	34	4	40	144
GN.69944	GN 302.2-78-M8-50-SW	M 8	78	16	21	36	8	34	4	50	148
GN.69941	GN 302.2-78-M8-50-OS	M 8	78	16	21	36	8	34	4	50	148
GN.69942	GN 302.2-78-M8-50-RS	M 8	78	16	21	36	8	34	4	50	148
GN.69943	GN 302.2-78-M8-50-SR	M 8	78	16	21	36	8	34	4	50	148
GN.69948	GN 302.2-78-M8-63-SW	M 8	78	16	21	36	8	34	4	63	153
GN.69945	GN 302.2-78-M8-63-OS	M 8	78	16	21	36	8	34	4	63	153
GN.69946	GN 302.2-78-M8-63-RS	M 8	78	16	21	36	8	34	4	63	153
GN.69947	GN 302.2-78-M8-63-SR	M 8	78	16	21	36	8	34	4	63	153
GN.69952	GN 302.2-78-M8-80-SW	M 8	78	16	21	36	8	34	4	80	160
GN.69949	GN 302.2-78-M8-80-OS	M 8	78	16	21	36	8	34	4	80	160
GN.69950	GN 302.2-78-M8-80-RS	M 8	78	16	21	36	8	34	4	80	160
GN.69951	GN 302.2-78-M8-80-SR	M 8	78	16	21	36	8	34	4	80	160
GN.69968	GN 302.2-78-M10-20-SW	M 10	78	16	21	36	8	34	4	20	141
GN.69965	GN 302.2-78-M10-20-OS	M 10	78	16	21	36	8	34	4	20	141
GN.69966	GN 302.2-78-M10-20-RS	M 10	78	16	21	36	8	34	4	20	141
GN.69967	GN 302.2-78-M10-20-SR	M 10	78	16	21	36	8	34	4	20	141
GN.69972	GN 302.2-78-M10-25-SW	M 10	78	16	21	36	8	34	4	25	144
GN.69969	GN 302.2-78-M10-25-OS	M 10	78	16	21	36	8	34	4	25	144
GN.69970	GN 302.2-78-M10-25-RS	M 10	78	16	21	36	8	34	4	25	144
GN.69971	GN 302.2-78-M10-25-SR	M 10	78	16	21	36	8	34	4	25	144
GN.69976	GN 302.2-78-M10-32-SW	M 10	78	16	21	36	8	34	4	32	148
GN.69973	GN 302.2-78-M10-32-OS	M 10	78	16	21	36	8	34	4	32	148
GN.69974	GN 302.2-78-M10-32-RS	M 10	78	16	21	36	8	34	4	32	148
GN.69975	GN 302.2-78-M10-32-SR	M 10	78	16	21	36	8	34	4	32	148
GN.69980	GN 302.2-78-M10-40-SW	M 10	78	16	21	36	8	34	4	40	153
GN.69977	GN 302.2-78-M10-40-OS	M 10	78	16	21	36	8	34	4	40	153
GN.69978	GN 302.2-78-M10-40-RS	M 10	78	16	21	36	8	34	4	40	153
GN.69979	GN 302.2-78-M10-40-SR	M 10	78	16	21	36	8	34	4	40	153
GN.69984	GN 302.2-78-M10-50-SW	M 10	78	16	21	36	8	34	4	50	159
GN.69981	GN 302.2-78-M10-50-OS	M 10	78	16	21	36	8	34	4	50	159
GN.69982	GN 302.2-78-M10-50-RS	M 10	78	16	21	36	8	34	4	50	159
GN.69983	GN 302.2-78-M10-50-SR	M 10	78	16	21	36	8	34	4	50	159
GN.69988	GN 302.2-78-M10-63-SW	M 10	78	16	21	36	8	34	4	63	167
GN.69985	GN 302.2-78-M10-63-OS	M 10	78	16	21	36	8	34	4	63	167
GN.69986	GN 302.2-78-M10-63-RS	M 10	78	16	21	36	8	34	4	63	167
GN.69987	GN 302.2-78-M10-63-SR	M 10	78	16	21	36	8	34	4	63	167
GN.69992	GN 302.2-78-M10-80-SW	M 10	78	16	21	36	8	34	4	80	177
GN.69989	GN 302.2-78-M10-80-OS	M 10	78	16	21	36	8	34	4	80	177
GN.69990	GN 302.2-78-M10-80-RS	M 10	78	16	21	36	8	34	4	80	177
GN.69991	GN 302.2-78-M10-80-SR	M 10	78	16	21	36	8	34	4	80	177

Clamping handles